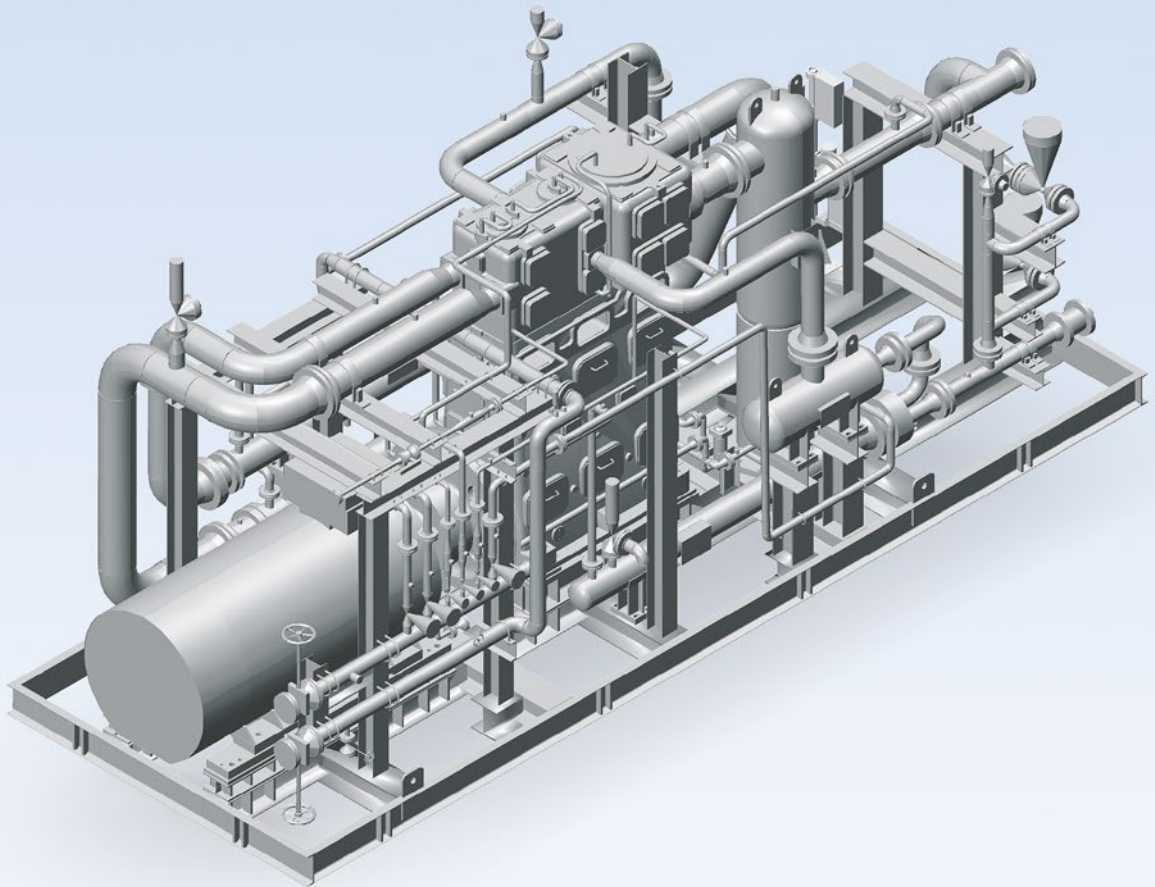


# **LABY® STANDARD PACKAGES**

**MOST RELIABLE AND SAFE OIL-FREE COMPRESSION  
FOR INDUSTRIAL GASES**



## MARKETS AND APPLICATIONS

### FIELDS OF APPLICATION

- Steel mills
- Glass production
- Pulp and paper
- Fertilizer plants
- Food processing

### GASES HANDLED

- Oxygen
- Nitrogen

## MAIN FEATURES AND BENEFITS

### LABY® COMPRESSORS

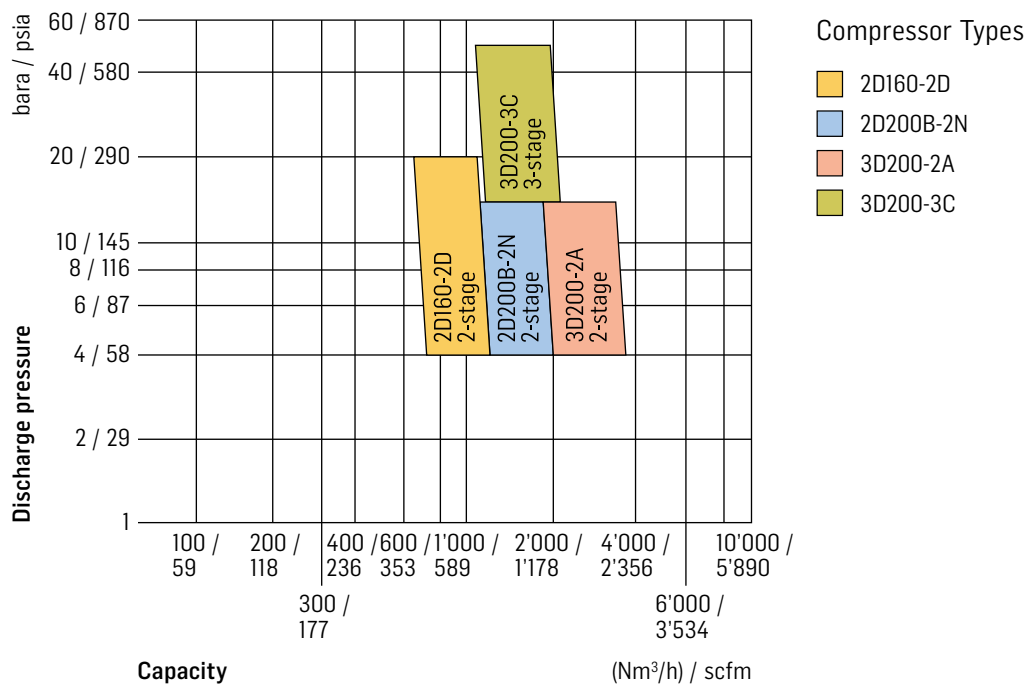
- Contactless labyrinth sealing for oil-free compression
- No mechanical friction in the cylinder results in no hot spots for highest operational safety
- Lowest maintenance costs and longest MTBO

### COMPACT COMPRESSOR PACKAGE

- Skid mounted for quick installation and start-up
- Appropriate instrumentation for easy operation

**DESIGNED FOR LOWEST LIFE CYCLE COSTS**

## PERFORMANCE RANGE



## TECHNICAL DATA

Laby® Standard Package Type	Suction Pressure bara / psia	Discharge Pressure bara / psia	No. of Stages	Capacity (Nm³/h) / scfm	Mass Flow (kg/h) / (lbs/h)	Speed rpm	Rated Power kW / hp	Drive	Length mm / in	Width mm / in	Height mm / in	Weight Package kg / lbs
2D160-2D_1	1.0-1.7 / 15-25	8-17 / 116-247	2	600-1'300 / 353-766	700-2'800 / 1'543-6'173	375-820	50-260 / 67-349	Belt	5'800 / 228	3'000 / 118	3'500 / 138	20'000 / 44'100
2D200B-2N_1	1.0-1.5 / 15-22	8-17 / 116-247	2	850-2'000 / 500-1'178	1'100-3'600 / 2'425-7'937	300-600	100-360 / 134-483	Direct	6'500 / 256	2'800 / 110	3'800 / 150	22'000 / 48'500
3D200-2A_1	1.0-1.5 / 15-22	8-16 / 116-232	2	1'700-3'500 / 1'000-2'062	2'000-7'500 / 4'410-16'535	300-600	180-640 / 241-858	Direct	7'500 / 295	3'000 / 118	3'800 / 150	25'000 / 55'100
3D200-3C_1	1.0-1.5 / 15-22	20-45 / 290-653	3	1'000-2'100 / 589-1'237	1'300-4'000 / 2'866-8'818	300-600	160-550 / 215-738	Direct & belt	8'400 / 331	3'000 / 118	4'000 / 157	30'000 / 66'140

Picture on the cover: Laby® Standard Package 3D200-3C\_1

## SYSTEM OVERVIEW

### COMPACT DESIGN FOR EASY INSTALLATION

The Laby® Standard Package is a skid-mounted and factory assembled system equipped with the Laby® Compressor. It is fully packaged to Burckhardt Compression standards which are defined on long-term experience. The compact design enables easy road transportation, single lift installation and small footprint. This all guarantees shortest project execution time.

### REDUCED INSTALLATION AND COMMISSIONING TIME

- Easy integration into existing plant with few connections
- Simple start-up with convenient instrumentation and easy and quick connection of inlet and outlet piping and power supply

### EASY OPERATION AND LOW MAINTENANCE

- No special training required, low staff requirements
- Convenient operation with good accessibility for maintenance

### INTERNATIONAL MANUFACTURING AND SAFETY STANDARDS

Our Laby® Standard Packages comply mainly with the international manufacturing and safety standards EIGA, API, IGC, ASTM. All relevant legal requirements and regulations will be considered.

**DETAILED INFORMATION ABOUT THE LABY® IS AVAILABLE IN THE PRODUCT BROCHURE "LABY® COMPRESSORS".**

### HIGHEST OPERATIONAL SAFETY

Highest operational safety and reliability is guaranteed by using the Laby® Compressor technology:

- Contactless sealing of piston and piston rod gland
- No piston rings – no wear and therefore low maintenance
- No contamination of the gas with abrasives or oil
- Higher acceptable discharge temperatures per stage for higher compression ratios and maximum efficiency
- Outstanding safety records worldwide for oxygen applications
- More than 1'000 references for oxygen applications
- More than 400 references for nitrogen applications
- 80 years of experience in manufacturing of Laby® Compressors

### SERVICE AND SUPPORT

- Experienced support for compressors in demanding applications
- Extensive service network enabling us to offer a fast worldwide service

### YOUR BENEFITS

- Reduced operating and maintenance costs
- Minimized downtimes and longest MTBO (mean time between overhaul)
- In-house state-of-the-art sizing tools and latest technologies backed by our recognized OEM expertise



Laby® Standard Package 3D200-3C\_1

### SCOPE OF SUPPLY

Laby® Compressor	for highest reliability and safety
Burckhardt Plate Valve™	for long operating time
Piping	according to regional standards
Pulsation dampers	for minimum plant vibration
Bypass	for capacity control
Gas coolers	for best operating performance
Oil filter	easy accessible for service
Drive motor	with low energy consumption
Instrumentation	for comfortable control
Safety valves	for highest operational safety
Compressor skid	for quick installation and start-up

**RECIPROCATING COMPRESSORS**

LEADING TECHNOLOGY FOR  
LOWEST LIFE CYCLE COSTS

**Laby®  
Compressors**  
Contactless  
and oil-free



**Laby®-GI  
Compressors**  
Fully balanced



**Process Gas  
Compressors**  
API 618 –  
full compliant



**Hyper  
Compressors**  
Safe and reliable  
up to 3'500 bar



**COMPRESSOR COMPONENTS**

BEST PERFORMANCE  
AND LONGEST LIFETIME

Valves:

- Burckhardt Poppet Valve™
- Burckhardt Plate Valve™
- Manley® valve, licensed by  
Burckhardt Compression

Piston rings

Guide rings

Piston rod packings

Packing rings

Oil scrapers

Hyper/secondary  
compressor parts

**SERVICES**

THE FULL RANGE

Burckhardt Valve Service

Spare parts logistics

Field service

Technical support

Component repair

Engineering services

Revamps

Condition monitoring &  
diagnostics

Training

FOR ALL YOUR RECIPROCATING COMPRESSORS

**Burckhardt Compression AG**

CH-8404 Winterthur

Switzerland

Tel.: +41 (0)52 262 55 00

Fax: +41 (0)52 262 00 51

24 hours emergency Tel.: +41 (0)52 262 53 53

info@burckhardtcompression.com

www.burckhardtcompression.com

Your local contact