

FUEL GAS COMPRESSOR SYSTEMS

FOR SMALL WINGD X-DF POWERED LNG CARRIERS AND BUNKER SHIPS

FULLY INTEGRATED COMPRESSOR SOLUTION

Burckhardt Compression offers a variety of compressor solutions for fuel gas compression that have been specifically designed for marine applications. Our X-DF fuel gas compressor systems is designed for BOG management on LNG carriers equipped with WinGD X-DF two-stroke engines.

The well-proven Laby® Compressors offer the most power-efficient solution for fuel gas compression and supports the optimization of the ship's operational costs (OPEX). The oil-free compressor system is able to supply gen-sets, the propulsion engine and the reliquefaction system. In addition, it can be operated in parallel to the pump vaporizer unit.

CUSTOMER BENEFITS OF LABY® COMPRESSORS

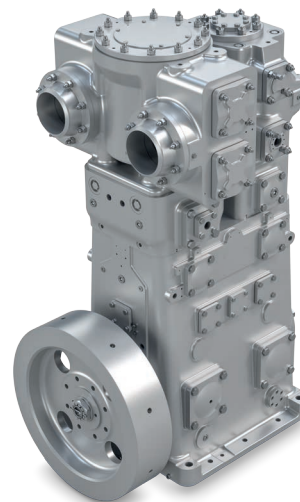
- Low power consumption leads to minimized operational costs (OPEX)
- Gas-tight crankcase for higher safety and zero gas loss
- Oil-free compression to prevent oil contamination of LNG
- Low maintenance costs due to labyrinth sealing technology
- Robust process control without surge and choke limits
- Insensitivity to gas and operation conditions
- Onboard maintenance by ship's crew possible
- Full range of after-sales services available

Compressors for a Lifetime™

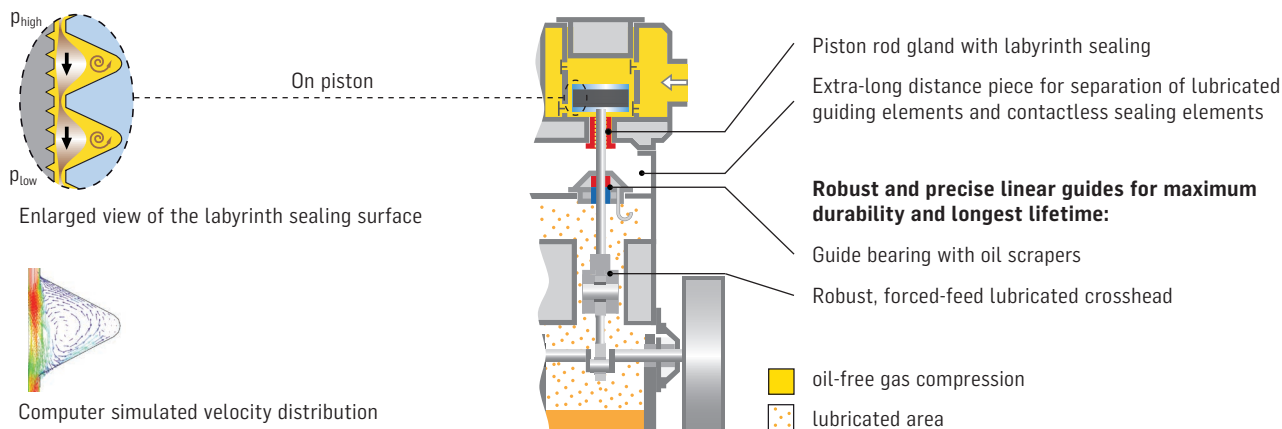
OIL-FREE FUEL GAS COMPRESSION

DESIGN FEATURES

- Contactless oil-free gas compression
- Cryogenic operation without pre-warming of BOG
- Unique wear-free labyrinth piston sealing technology
- Minimized vibrations for improved integration in marine applications
- Easy installation through compact design
- Minimized quantity of wear parts
- Compliant with IMO, IGF and IGC codes
- Designed according to marine standards



CONTACTLESS LABYRINTH SEALINGS



TECHNICAL DATA

Type	Max. Speed rpm*	Rated Power kW / hp	Max. Volume Flow m ³ /h** / scfm**	Min. Gas Temperature °C / °F
2KL90	880	101 / 135	400 / 20	-140 / -220
2KL140	580	242 / 325	1'200 / 60	-140 / -220

*60 Hz supply frequency **Depending on gas composition, gas temperature, compressor suction pressure

Burckhardt Compression

24-hour emergency tel.: +41 52 262 53 53
 info@burckhardtcompression.com
 www.burckhardtcompression.com