



# **LABY® COMPRESSORS FOR LNG BOG MANAGEMENT**

## **FOUR-STROKE ENGINES ON CRUISE SHIPS**

### **LNG AS A MARINE FUEL ALTERNATIVE**

With regard to the efforts made to reduce the global carbon footprint, cruise ship passengers are increasingly requesting low-emission cruise voyages. In addition, upcoming IMO regulations will cut the sulfur content of marine diesel to 0.5% by the year 2020. LNG is the preferred alternative fuel for new cruise ships. Occurring boil-off gas (BOG) must be managed to protect the structural integrity of the onboard gas tanks.

Burckhardt Compression offers a variety of compressor solutions for BOG handling that have been specifically designed for marine applications. Our oil-free Laby® Compressors can compress the BOG for injection into auxiliary gen-sets.

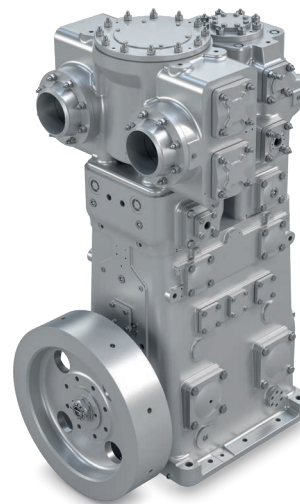
### **CUSTOMER BENEFITS OF LABY® COMPRESSORS**

- Gas-tight crankcase for greater safety and zero gas loss
- Cryogenic operation without BOG pre-warming
- Low power consumption leads to minimized operational costs (OPEX)
- Low maintenance costs due to labyrinth sealing technology
- Low system complexity for easy integration
- Vibration dampeners specifically designed to minimize compressor vibrations
- Ship's crew can perform onboard maintenance
- Simple parallel operation with pump vaporizer
- Full range of after-sales services available

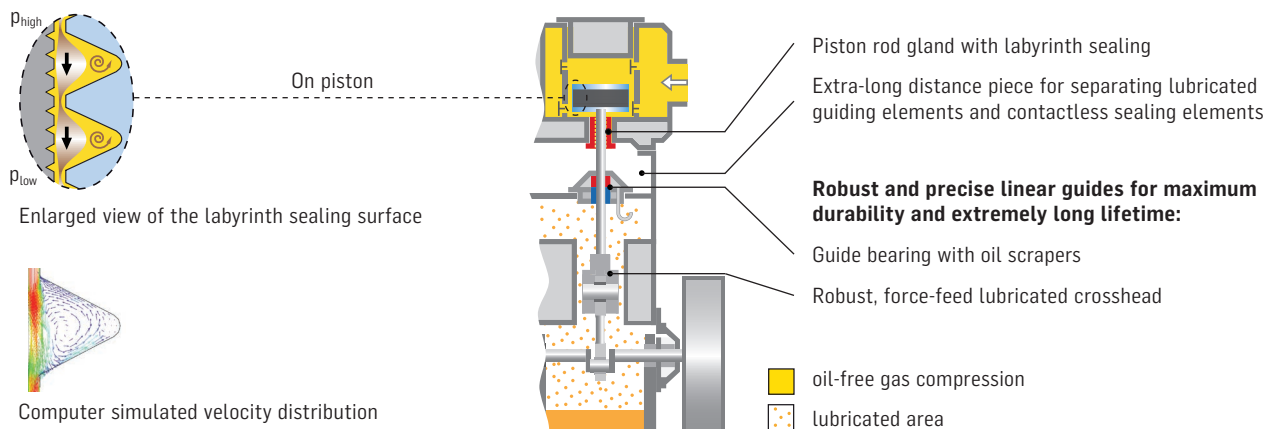
# OIL-FREE MARINE LABY<sup>®</sup> COMPRESSION

## DESIGN FEATURES

- Robust design compliant with marine standards
- Contactless oil-free gas compression
- Unique wear-free labyrinth piston sealing technology
- Directly driven by an electric motor
- Water-cooled cylinders and gas coolers
- Integrated crankshaft-driven lube oil system
- Compliant with IMO, IGF and IGC codes



## CONTACTLESS LABYRINTH SEALINGS



## TECHNICAL DATA

Type	Max. Speed rpm*	Rated Power kW / hp	Max. Volume Flow m <sup>3</sup> /h** / scfm**	Min. Gas Temperature °C / °F
2KL90	880	101 / 135	400 / 20	-140 / -220
2KL140	580	242 / 325	1'200 / 60	-140 / -220

\*60 Hz supply frequency \*\*Depending on gas composition, gas temperature and compressor suction pressure

### Burckhardt Compression

24-hour emergency tel.: +41 52 262 53 53  
 info@burckhardtcompression.com  
 www.burckhardtcompression.com